

MEMBERS OF THE EIDE FAMILY



Eide Industries is a licensed General Contractor in California #211771

Arizona #133892 and #133893

Nevada #68052 B-5 (\$1 Million limit) and #68053 C14H (\$1 Million limit)

Los Angeles Approved Fabricator License #1716

TRADE ASSOCIATION AFFILIATIONS:

Industrial Fabrics Association International (IFAI)

Fabric Structures Association (FSA)

Professional Awning Manufacturers Association (PAMA)

Western Canvas Products Association (WCPA)

American Institute of Architects, Los Angeles (AIA | LA)



TENSIONSTRUCTURES.COM



ARCHITECTURAL MODULES

16215 Piuma Avenue • Cerritos, CA 90703-1528

Toll-Free Number (800) 422-6827

Phone (562) 402-8335 • Fax (562) 924-2233

Manufacturers since 1938

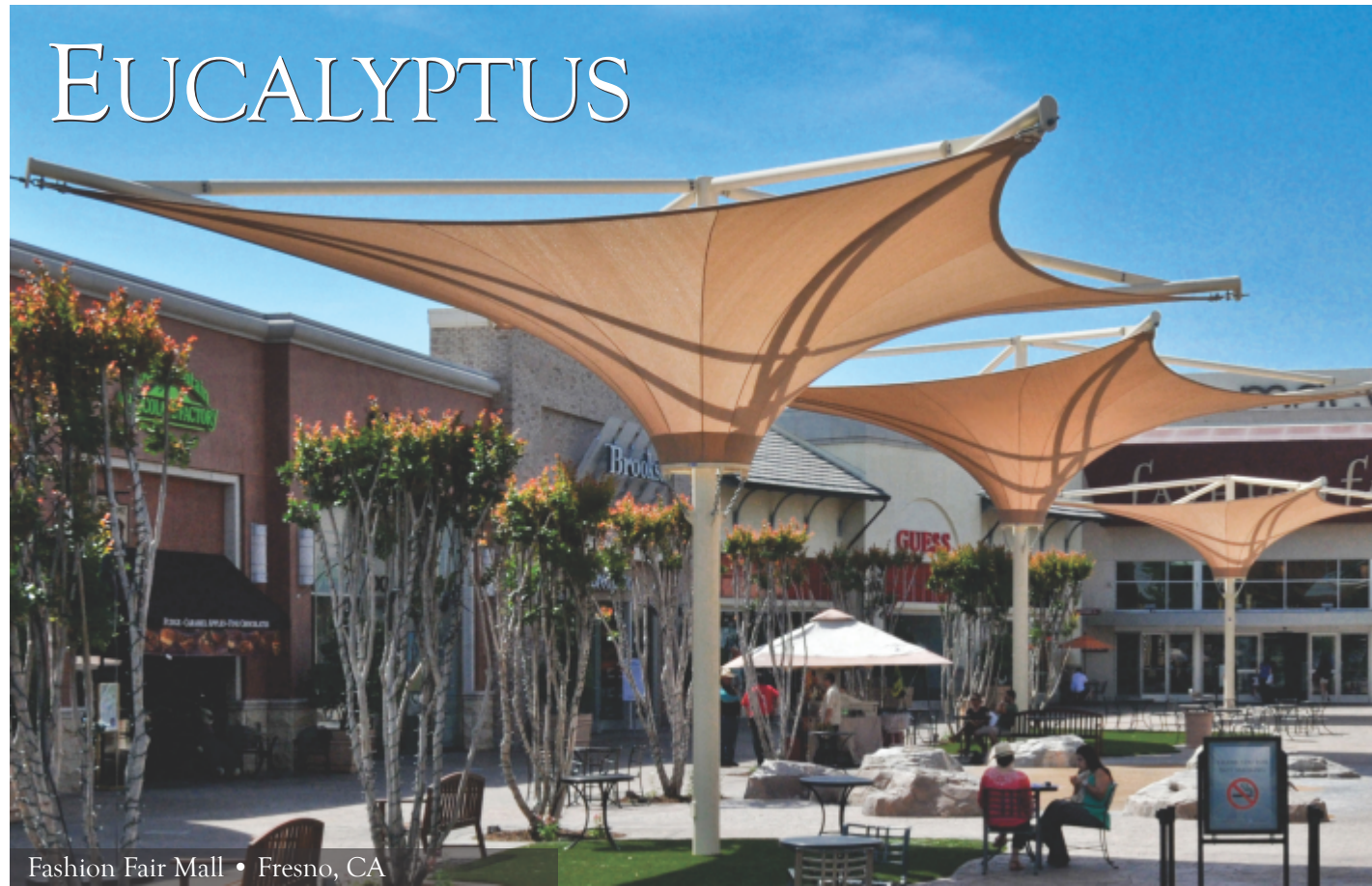
Engineering • Manufacturing
Permits • Worldwide Installation
Call (800) 422-6827 • Info@TensionStructures.com

Engineering • Manufacturing
Permits • Worldwide Installation
Call (800) 422-6827 • Info@TensionStructures.com

TENSION
Structures.com
Division of Eide Industries, Inc.



EUCALYPTUS

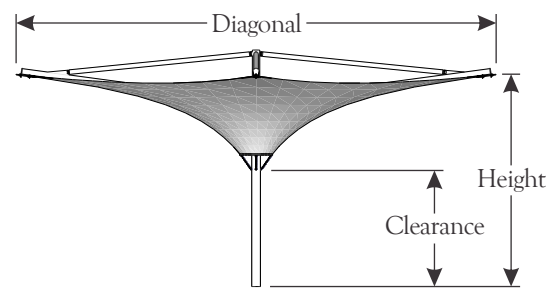
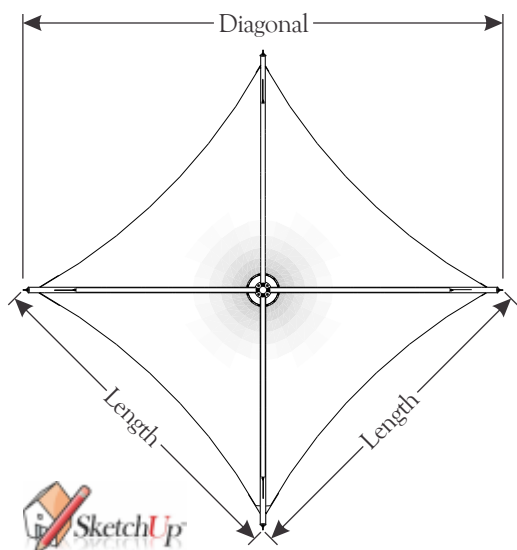


Fashion Fair Mall • Fresno, CA

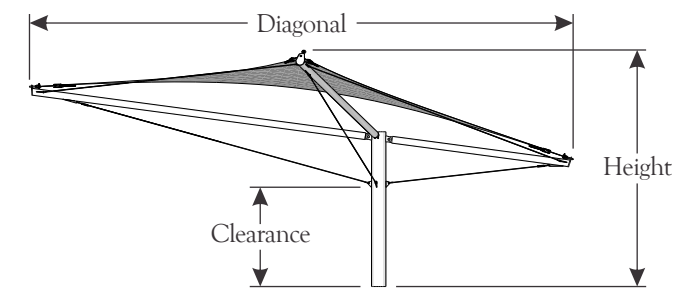
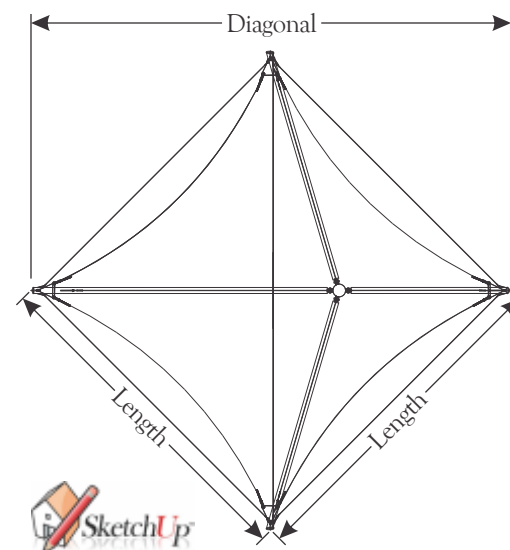
SEQUOIA



Peralta Community College • Oakland, CA



EUCALYPTUS	Diagonal	Length	Clearance	Height
EC-20-14	28'-3"	20'-0"	8'-1"	14'-0"
EC-30-20	42'-4"	30'-0"	11'-2"	20'-0"
EC-40-26	56'-6"	40'-0"	14'-3"	26'-0"



SEQUOIA	Diagonal	Length	Clearance	Height
SQ-20-14	28'-3"	20'-0"	7'-0"	14'-0"
SQ-30-20	42'-4"	30'-0"	8'-5"	20'-0"
SQ-40-25	56'-6"	40'-0"	11'-0"	25'-0"

Engineering • Manufacturing
Permits • Worldwide Installation
Call (800) 422-6827 • Info@TensionStructures.com

TENSION
Structures.com
Division of Eide Industries, Inc.



Engineering • Manufacturing
Permits • Worldwide Installation
Call (800) 422-6827 • Info@TensionStructures.com

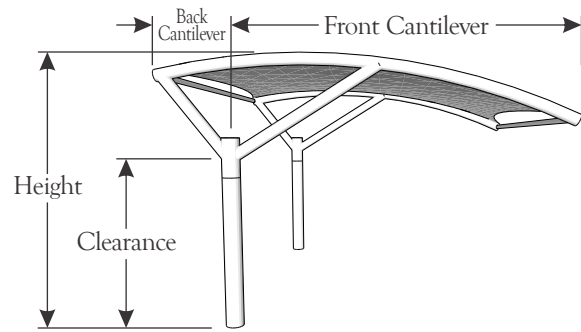
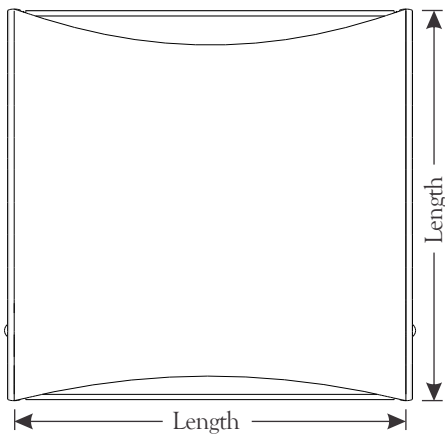
TENSION
Structures.com
Division of Eide Industries, Inc.





UCLA Kinross Fitness Center • Los Angeles, CA

Lights and fans not included.

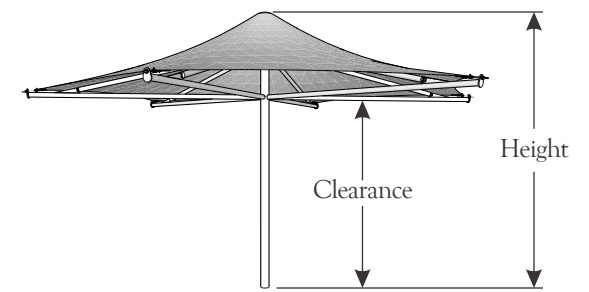
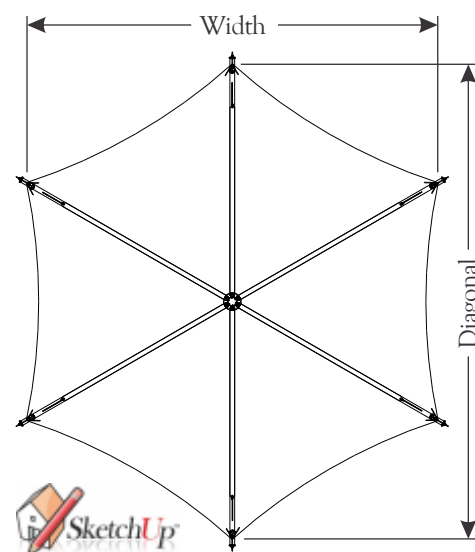


WILLOW	Length	Height	Clearance	Back Cantilever	Front Cantilever
WL-10-10	10'-0"	10'-0"	6'-8"	1'-9"	8'-2"
WL-15-12	15'-0"	12'-0"	7'-0"	2'-7"	12'-3"
WL-20-16	20'-0"	16'-0"	9'-4"	3'-6"	16'-4"



Grace Community Church • Sun Valley, CA

Lights not included.



SYCAMORE	Width	Diagonal	Clearance	Height
SM-10-11	10'-0"	11'-6"	7'-6"	11'-0"
SM-15-13	15'-0"	17'-3"	8'-10"	13'-0"
SM-20-17	20'-0"	23'-0"	11'-7"	17'-0"

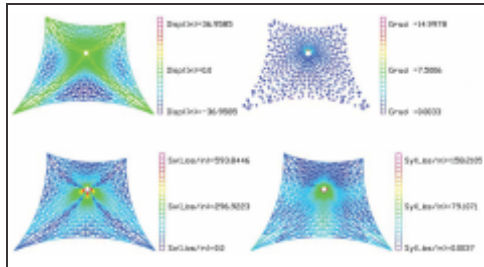


Engineering • Manufacturing
Permits • Worldwide Installation
Call (800) 422-6827 • Info@TensionStructures.com



Engineering • Manufacturing
Permits • Worldwide Installation
Call (800) 422-6827 • Info@TensionStructures.com





Made in the USA. Eide Industries, Inc. fabricates tension structures engineered to meet worldwide structural and fire code requirements.



Metal structures are custom designed and manufactured in-house by our certified welders. Los Angeles Approved Fabricators License #1716.



PTFE, PVC and HDPE membranes are fabricated in-house using state-of-the-art heat-sealing, RF welders and industrial sewing machines.



Eide Industries, Inc. offers project management, site surveys, permit pulling, concrete footings and complete worldwide installation services.

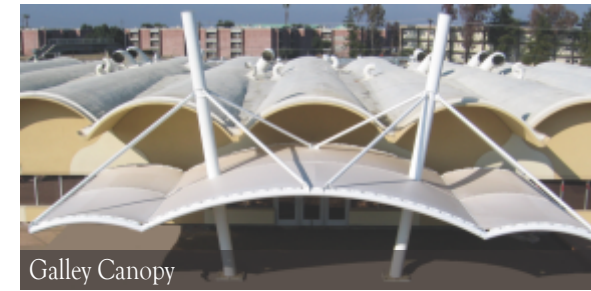
TensionStructures.com, a division of Eide Industries, Inc., is a leading manufacturer of tensile fabric and metal structures, architecturally designed shade structures, commercial canopy systems and industrial protective covers. We specialize in the design, build, refinement, construction and installation of complex and difficult projects regardless of job size, scope of work, location, or administrative demands.

Operating from a 41,000 square foot Southern California facility, Eide Industries combines professional services, state-of-the-art fabrication, and innovative textile materials pushing the boundaries of engineered fabric architecture.

- To obtain CSI 3-part specifications for these Division 13 products, please contact us.
- For more information on fabric and color availabilities for your application, please contact us at info@tensionstructures.com.



DESIGN – BUILD POSSIBILITIES



TENSIONSTRUCTURES.COM

16215 Piuma Avenue • Cerritos, CA 90703-1528
 Toll-Free Number (800) 422-6827
 Phone (562) 402-8335 • Fax (562) 924-2233
 Manufacturers since 1938

Engineering • Manufacturing
 Permits • Worldwide Installation
 Call (800) 422-6827 • Info@TensionStructures.com



Engineering • Manufacturing
 Permits • Worldwide Installation
 Call (800) 422-6827 • Info@TensionStructures.com

